



# MINIVAP HUMIDIFIER

## MODELS: MV2 and MV4

- Two capacities 2kg/h, 4kg/h
- Powerful VOS-6 operating system
- Easy to use
- Ideal for light commercial applications
- Pump drainage
- Disposable and cleanable cylinders manufactured from recyclable materials

Humidity is essential to a healthy environment and for maintaining the correct conditions for people, furniture and equipment. The Minivap is designed to meet the particular requirements of small commercial premises and can be used alongside all heating systems to maintain the required humidity levels during winter.

### VOS-6 Operating System

The Minivap incorporates the patented VOS-6 operating system. The VOS-6 programme was developed by Vapac Engineers to meet the exacting demands of industrial humidification where reliability and the ability to work with different and changing water conditions is of paramount importance. VOS-6 automatically manages the water feed and drain cycles, while at the same time adapting to changes in water conditions within the cylinder.

### Easy to Use

The Minivap humidifier is controlled by a simple three position on/off/drain switch. Switch on the Minivap and the powerful VOS-6 programme automatically takes over.

### Easy to Maintain

The disposable cylinder can be changed in minutes. Simply switch the unit to drain to empty the existing cylinder, unclip the hose and lift out the cylinder. Fitting the new cylinder is just as easy and all Vapac cylinders are manufactured from recyclable materials, so helping to conserve precious resources.

### Pump Drainage

The Minivap humidifier uses a pump to drain water from the cylinder as opposed to the more commonly used solenoid valve. The pump has the advantage that it is more able to deal with water containing residual solids.

Vapac®

### Low voltage control circuit

The Minivap internal control circuit is operated at 24 Volts AC.

### On/Off Humidistat Control

The Minivap can be operated On/Off using a wall or duct mounted humidistat.

### Steam Distribution

A steam distribution nozzle is included for installation into the ductwork system together with 1.5m of both steam hose (22mm diameter) and condensate hose (6mm diameter). Stainless steel, steam distribution pipes are also available with "in-duct" lengths 200, 300 and 400mm.

### Room Distribution Unit (RDU)

Where a Minivap is to be used for free discharge and without a ducted air distribution system, a Room Distribution Unit (RDU) is available.

The RDU is mounted directly on top of the Vapac and replaces the steam hose and duct steam distribution pipes. A small fan within the RDU blows steam into the room.

### Water and Drain

Water Inlet: Flexible hose connector with 3/4" thread  
 Water Pressure: 0.3 - 8bar  
 Water Flow Rate: Minimum 1.2 litres/min  
 Drain Outlet: 35mm O.D. unthreaded pipe end.

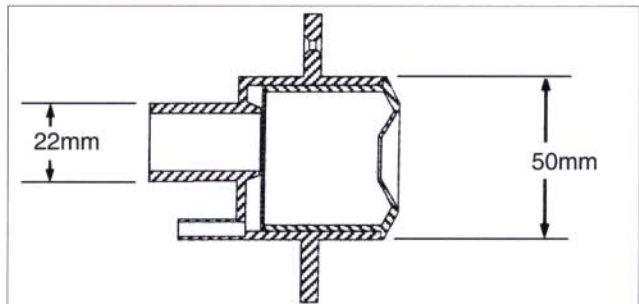
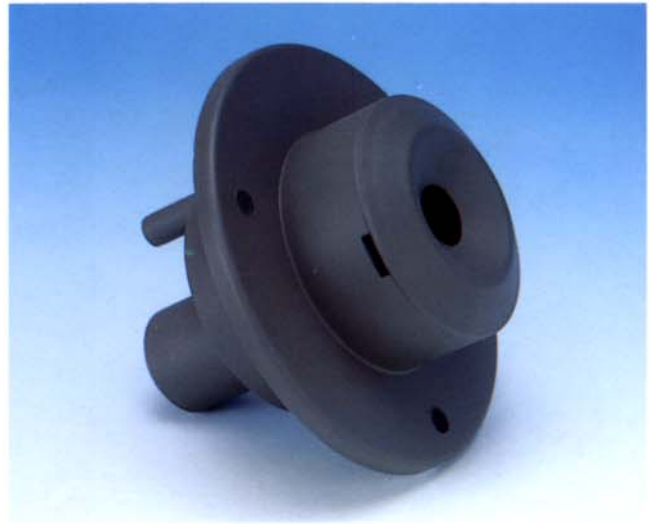
The Minivap includes a built-in fill-cup that provides a 25mm air-gap in the water feed-line to prevent back-feeding or contamination of the feed water supply. The fill-cup includes a safety overflow circuit.

### Operating Limits

Water Hardness: 50-500 mg/l CaCO<sub>3</sub>  
 Conductivity: 80 - 1000 microSiemens/cm  
 Ambient Air: 1°C - 35°C

### Casing

The casing is manufactured from zinc coated steel finished in grey stove enamel. The electrical section is fully enclosed. Access to the steam production area is via a lockable cover. The electrical section slides out for easy front access.



STEAM NOZZLE



ROOM DISTRIBUTION UNIT (RDU)

### Minivap Dimensions, Steam Outputs and Electrical data

MINIVAP Model:		MV2	MV4	
Height*	A	mm	500	500
Width	B	mm	325	325
Depth	C	mm	230	230
Service Weight		kg	16	16
RDU Height	D	mm	183	183
RDU Weight		kg	3.6	3.6
Output Range		kg/h	1 - 2	2 - 4
Maximum Output		kg/h	2	4
Power rating		kW	1.5	3.0
AC Power Supply			1 phase	1 phase
Electrical Supply		Volts	220 240	220 240
Full Load Current		Amps	7.5 6.8	15.0 13.5
Fuse Rating		Amps	10 10	20 20
Steam Nozzle/Pipe, Hose and Condensate Tube	No.		1	1

\* Drain trap underneath projects making overall height 565mm

Vapac Humidity Control Ltd., operate a policy of continuous improvement and therefore reserve the right to change equipment specifications at any time.

Vapac<sup>®</sup> is an internationally registered trademark. Vapac equipment is covered by international patents.

0410163/APR 96

Vapac Humidity Control Ltd  
 Station Road, Edenbridge, Kent TN8 6EG  
 Tel 01732 863447 Fax 01732 865658

An Eaton-Williams Group Company

**Vapac<sup>®</sup>**