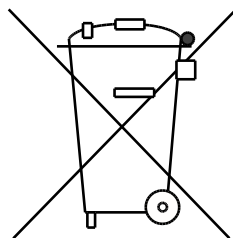


DanX 1/2/3

Electrical diagrams – Schaltpläne – El. Diagram – Diagrammes électriques

Rev. 2.0 – 081811

Dantherm[®]
CONTROL YOUR CLIMATE



Der tages forbehold for trykfejl og ændringer
Dantherm can accept no responsibility for possible errors and changes
Irrtümer und Änderungen vorbehalten
Dantherm n'assume aucune responsabilité pour erreurs et modifications éventuelles

1. DanX 1 HP (1 x 230V + N)

- Main Supply / Netzanschluss / Net tilslutning / Raccordement électrique	2
- Transformer / Transformator / Transformator / Transformateur	3
- MVC 80 controller / Steuerung / Kontroller / Contrôleur	4
- MVC WEB controller / Steuerung / Kontroller / Contrôleur	5
- Control Current / Steuerstrom / Styrestrøm / Courant de commande	6

2. DanX 2_3 HP (2 x 400V + N)

- Main Supply / Netzanschluss / Net tilslutning / Raccordement électrique	9
- Transformer / Transformator / Transformator / Transformateur	10
- MVC 80 controller / Steuerung / Kontroller / Contrôleur	11
- MVC WEB controller / Steuerung / Kontroller / Contrôleur	12
- Control Current / Steuerstrom / Styrestrøm / Courant de commande	13

3. DanX 2_3 HP (3 x 230V + N) *

- Main Supply / Netzanschluss / Net tilslutning / Raccordement électrique	16
- Transformer / Transformator / Transformator / Transformateur	10
- MVC 80 controller / Steuerung / Kontroller / Contrôleur	11
- MVC WEB controller / Steuerung / Kontroller / Contrôleur	12
- Control Current / Steuerstrom / Styrestrøm / Courant de commande	13

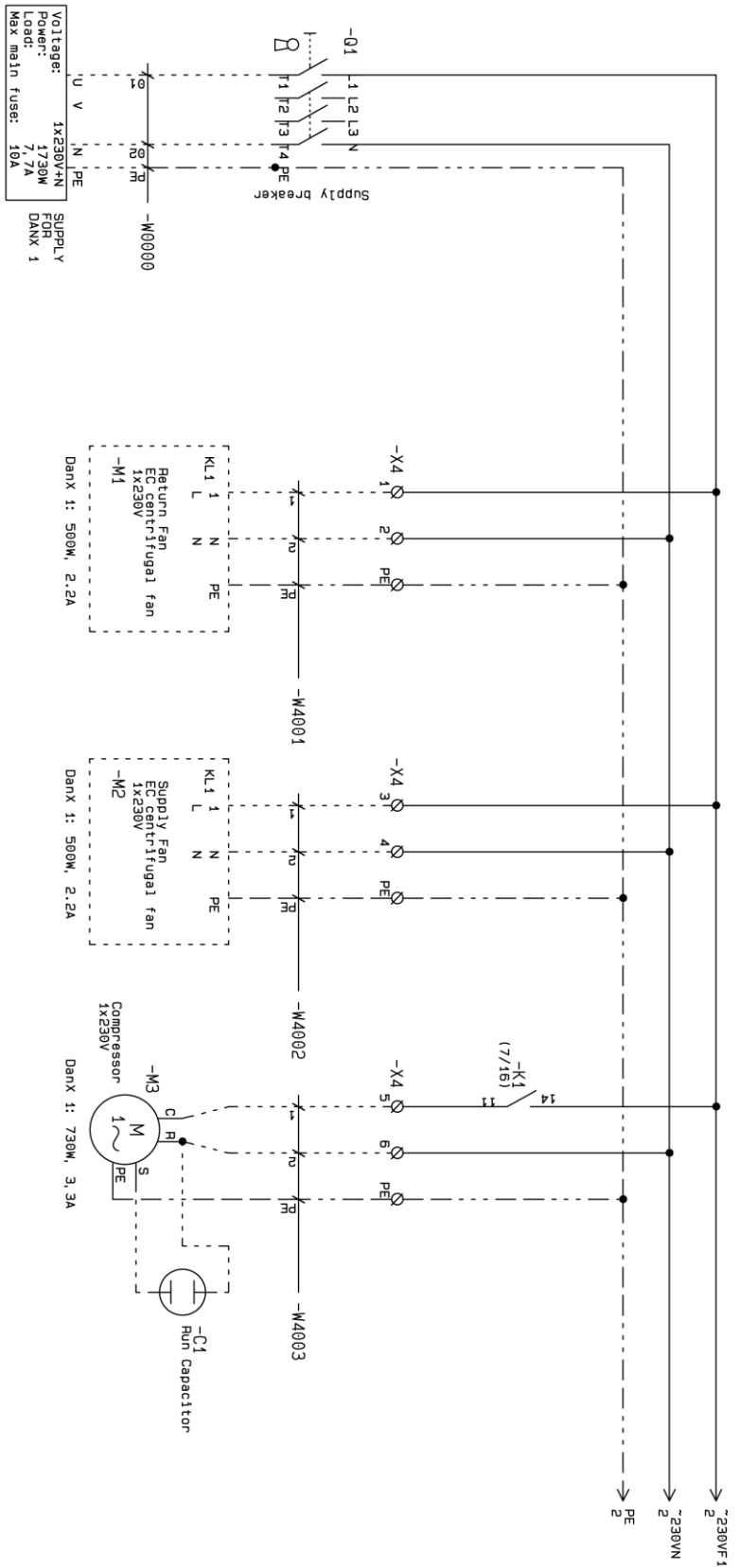
4. DanX 1_2_3 XD (1 x 230V + N)

- Main Supply / Netzanschluss / Net tilslutning / Raccordement électrique	17
- Transformer / Transformator / Transformator / Transformateur	18
- MVC 80 controller / Steuerung / Kontroller / Contrôleur	19
- MVC WEB controller / Steuerung / Kontroller / Contrôleur	20
- Control Current / Steuerstrom / Styrestrøm / Courant de commande	21

5. Electrical Heating Coil / Elektrische Heizfläche / EI Varmeflade / Batterie Électrique

- Control Current / Steuerstrom / Styrestrøm / Courant de commande	25
--	----

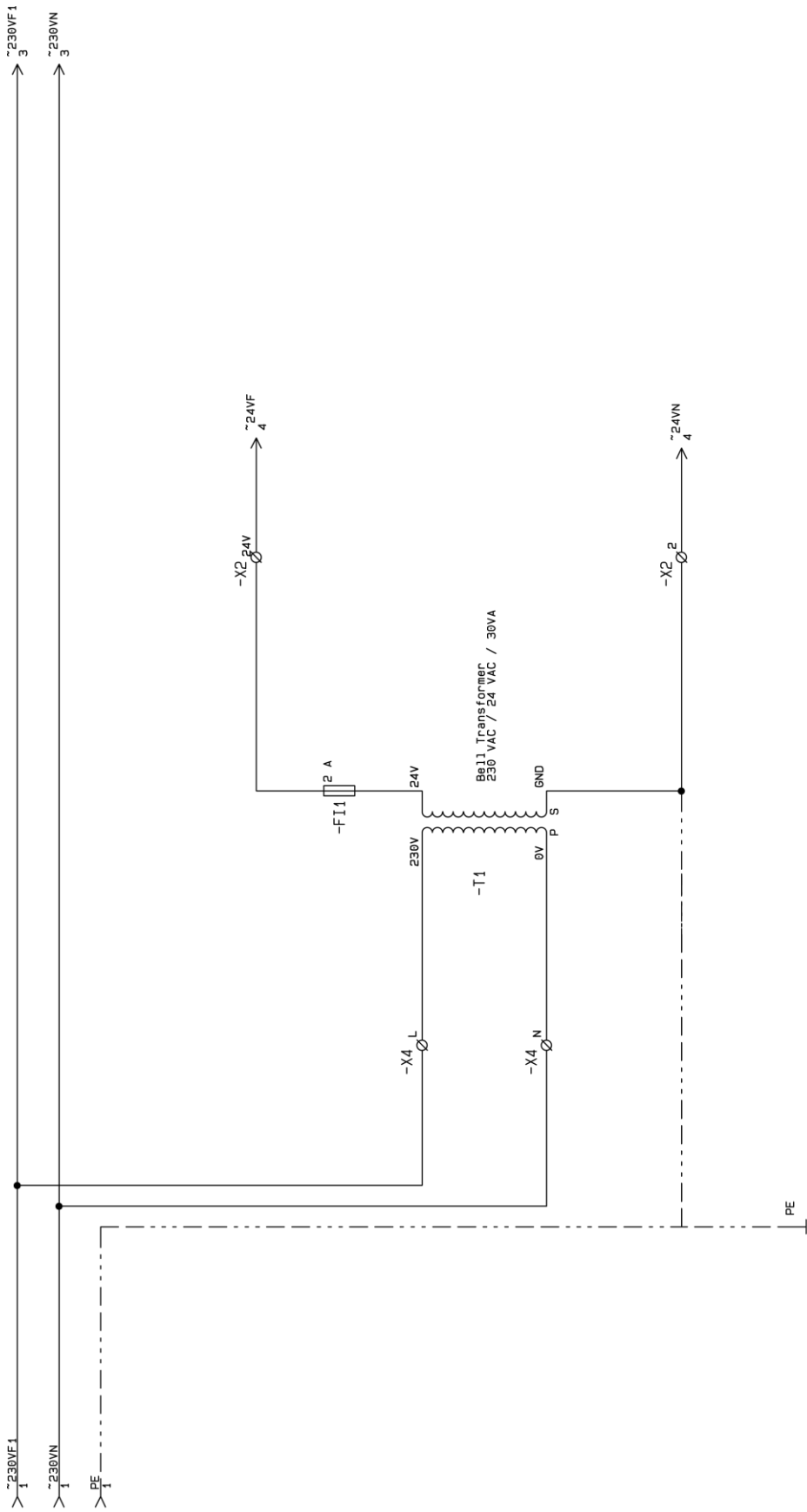
*Only Norway / nur Norwegen / Seule la Norvège



The control panel is built so that it is possible to protect against indirect contact by neutralisation. If there is no TN net used at the place of installation and there is a subsequent demand for supplementary protection against indirect contact, the extra protection is to be established in the supply board. If a TT net is used and the supplementary protection works through failure relay, it must be considered when choosing the failure relay whether the control board is supposed to provide a frequency transformer.

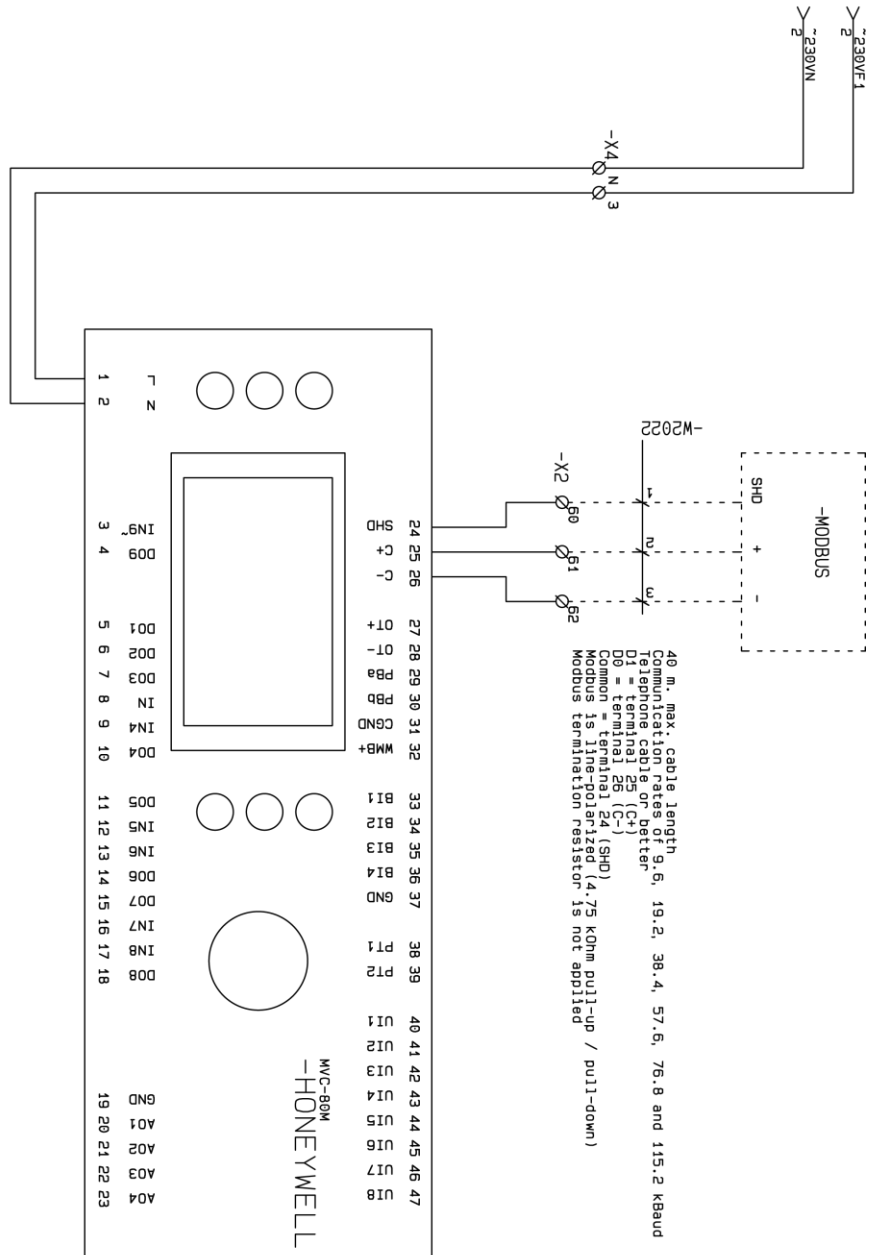
Overload protection for this control panel must be established before this control panel!

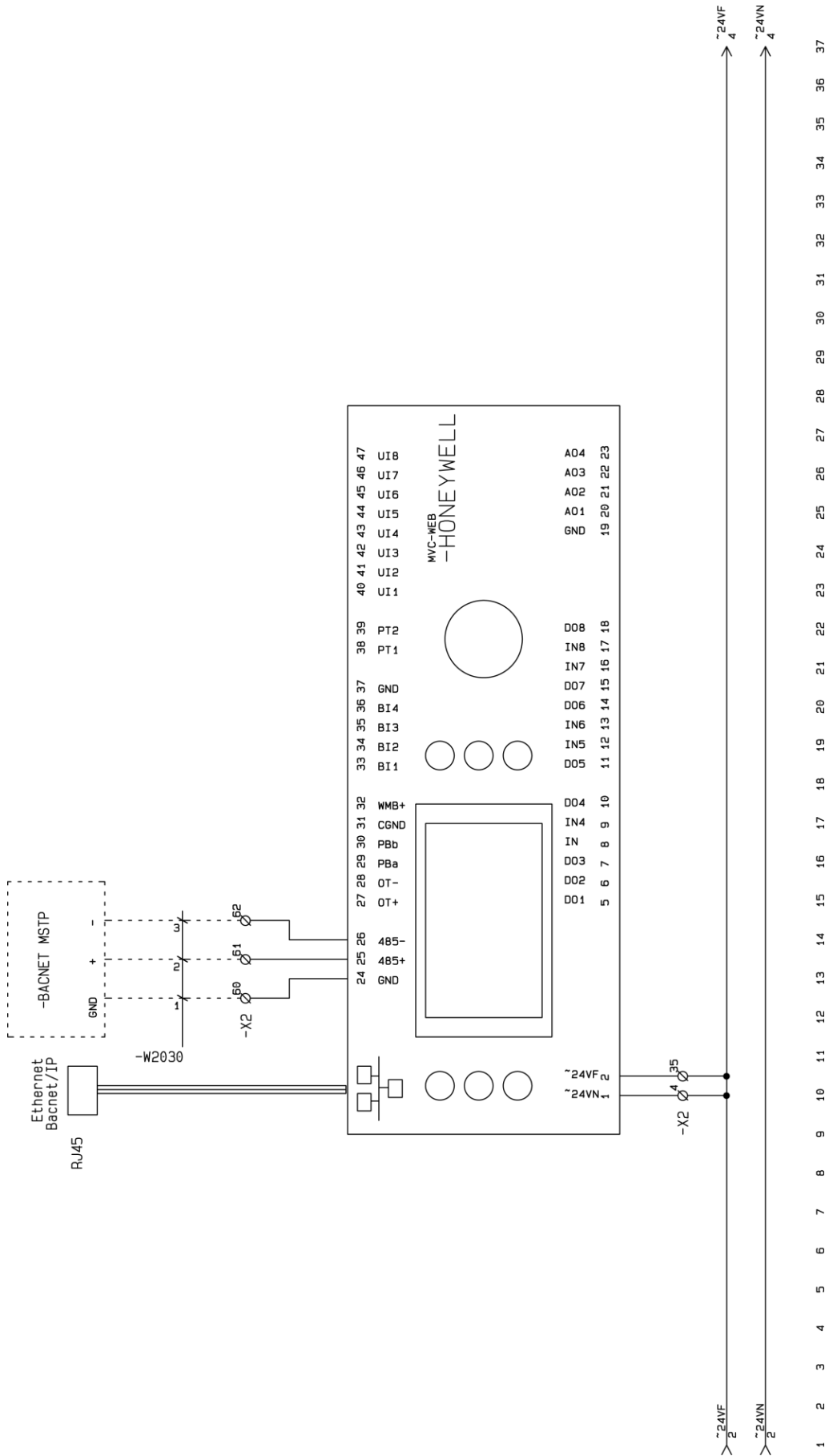
1 2 3 4 5 6 7 8 9 10 11 12 13 14 15 16 17 18 19 20 21 22 23 24 25 26 27 28 29 30 31 32 33 34 35 36 37



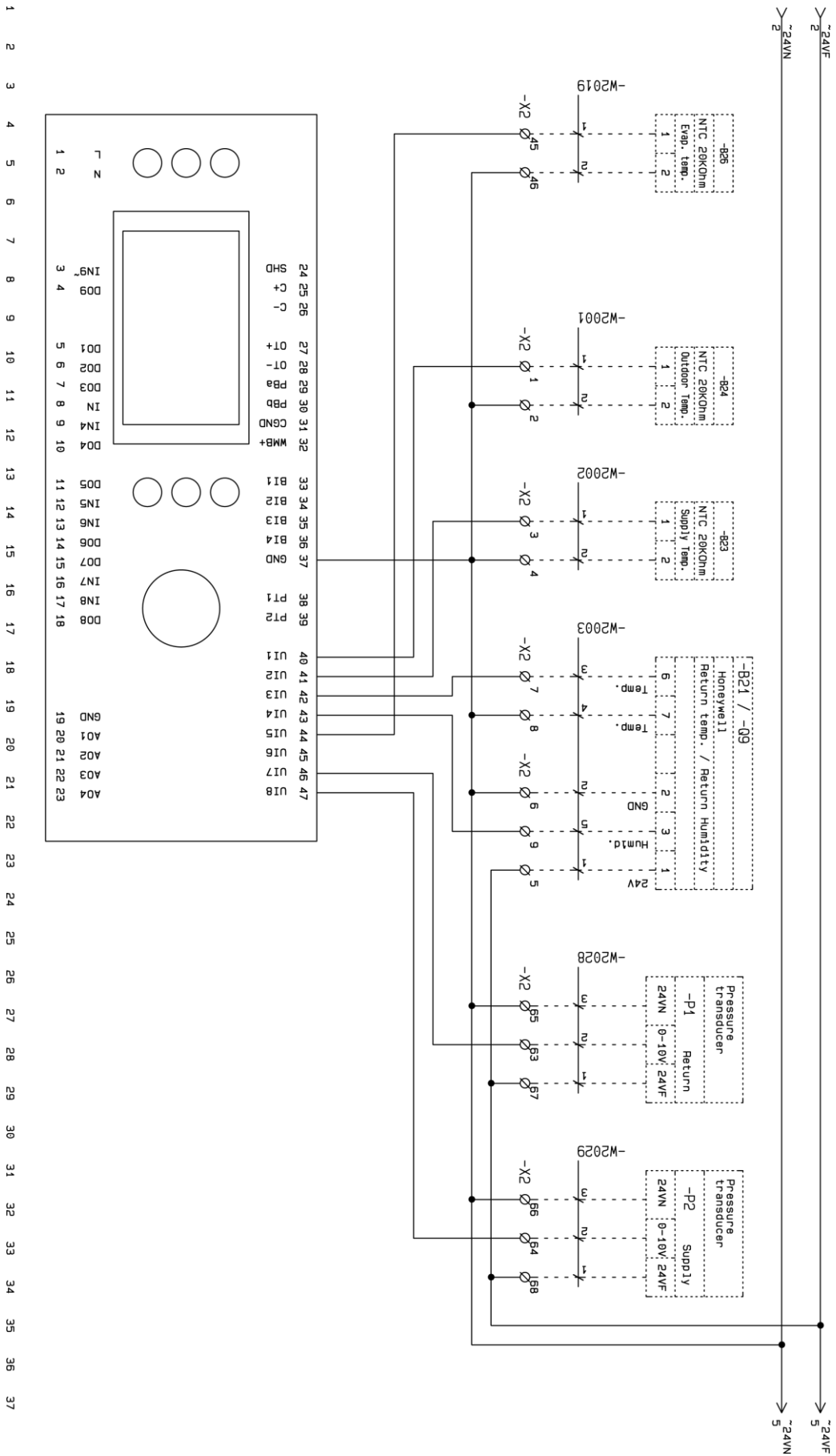
DanX 1 HP

1 2 3 4 5 6 7 8 9 10 11 12 13 14 15 16 17 18 19 20 21 22 23 24 25 26 27 28 29 30 31 32 33 34 35 36 3

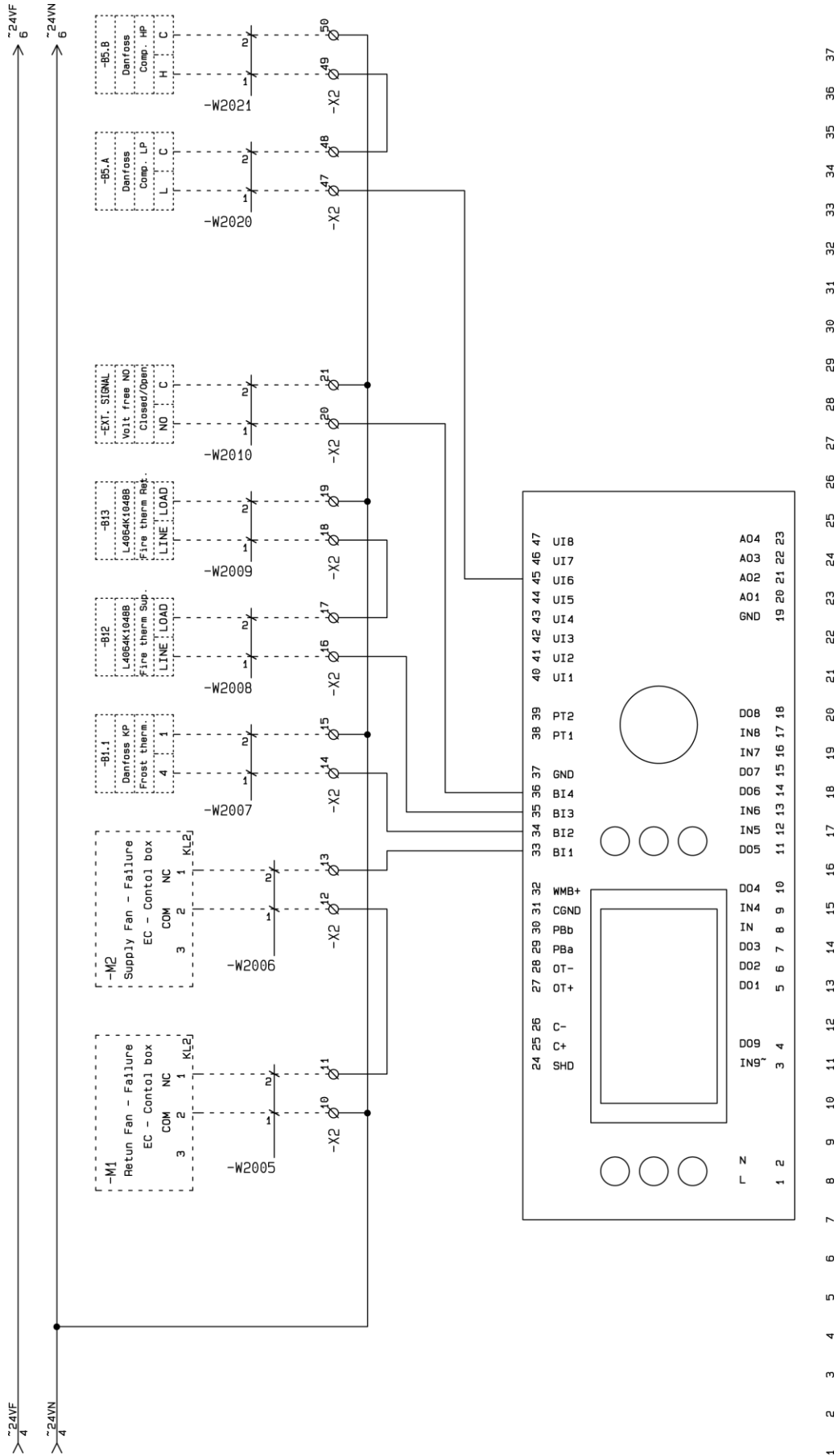




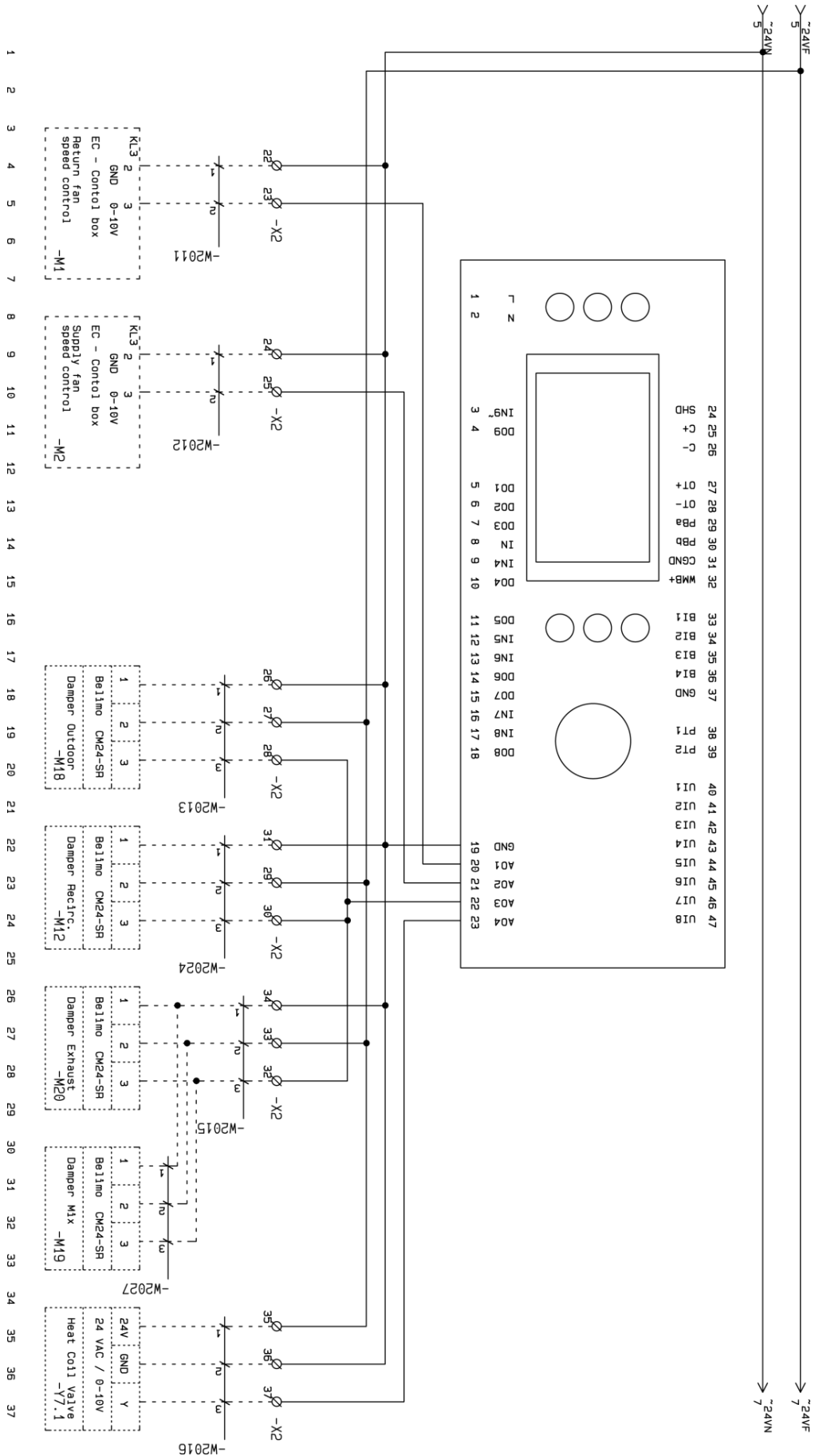
DanX 1 HP



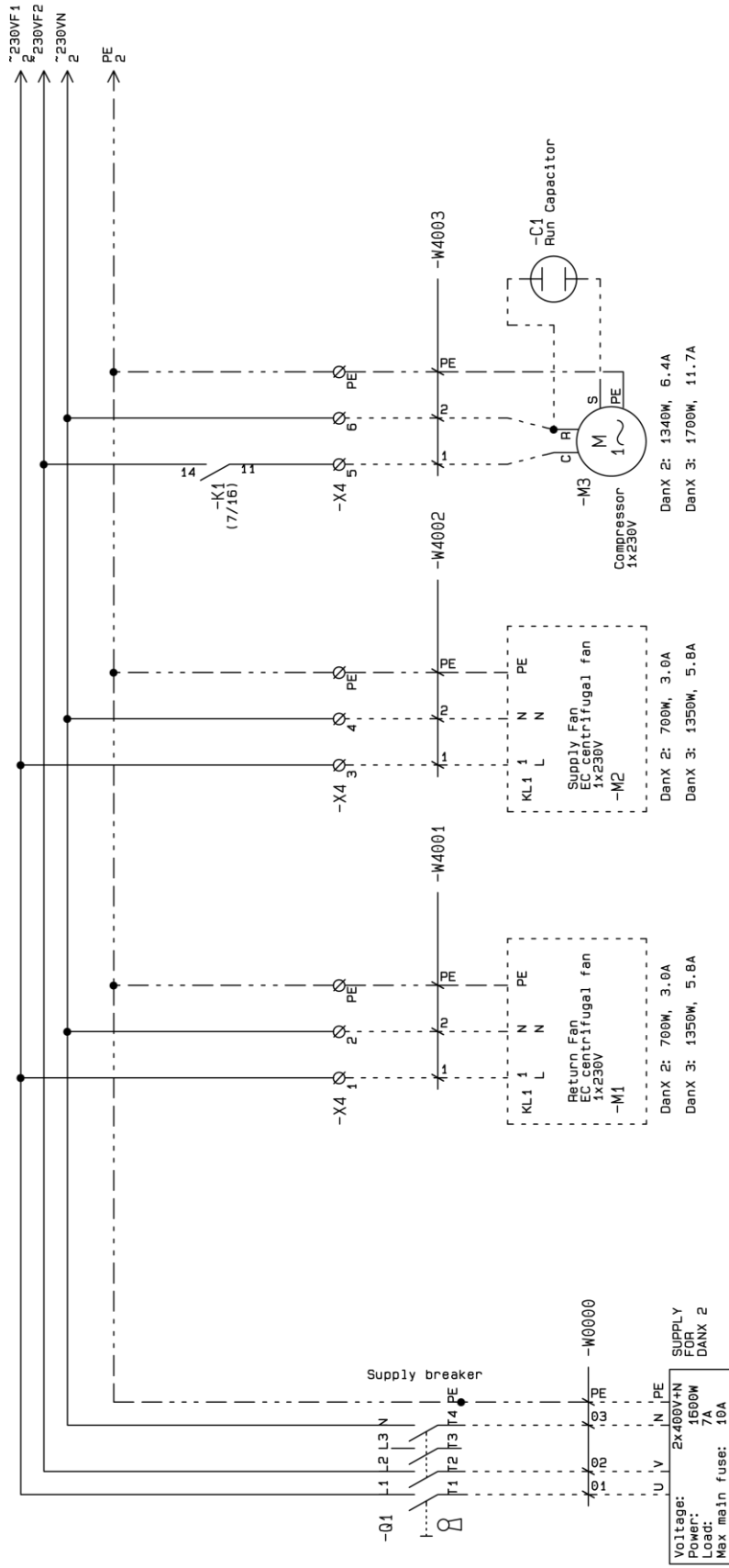
DanX 1 HP



DanX 1 HP



DanX 1 HP



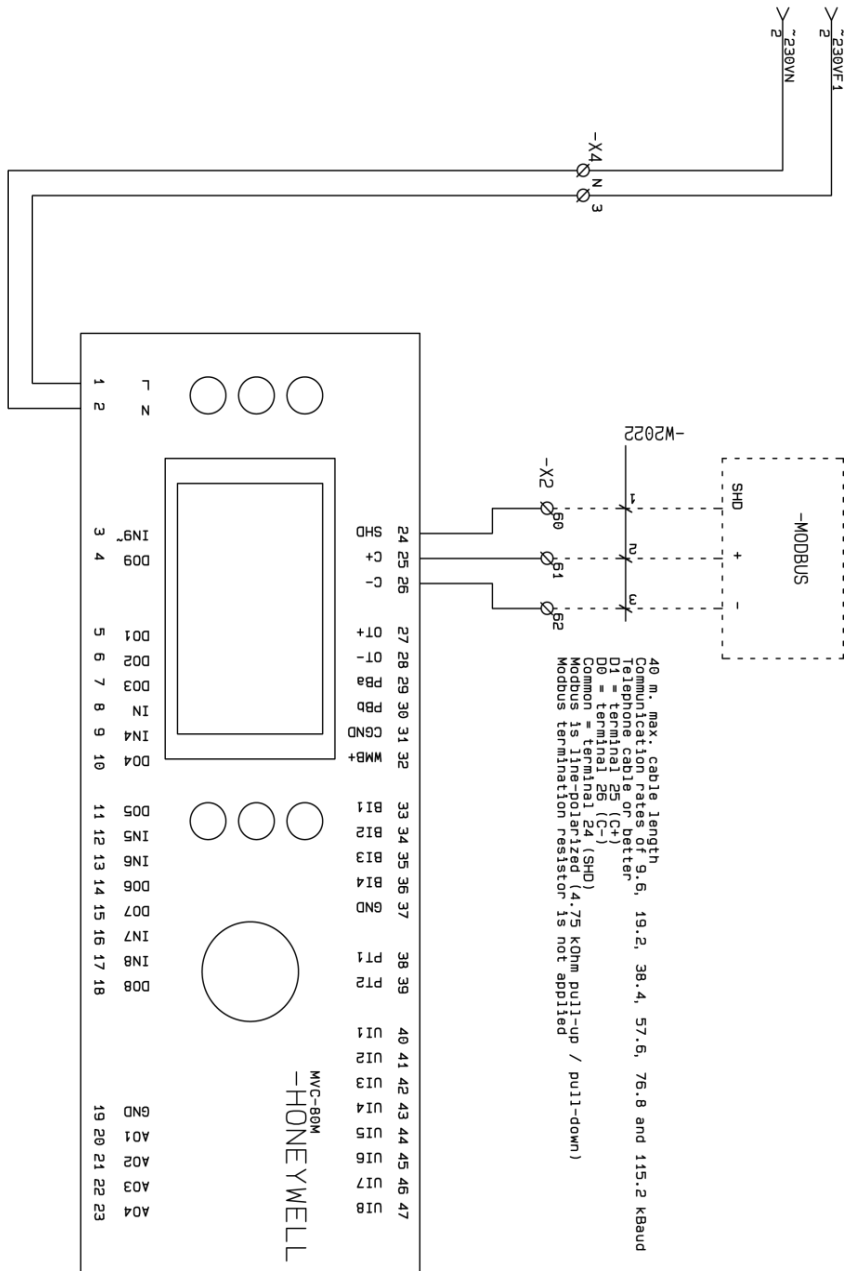
The control panel is built so that it is possible to protect against indirect contact by neutralisation. If there is no TN net used at the place of installation and there is a subsequent demand for supplementary protection against indirect contact, the extra protection is to be established in the supply board. If a TT net is used and the supplementary protection works through failure relay, it must be considered when choosing the failure relay whether the control board is supposed to provide a frequency transformer.

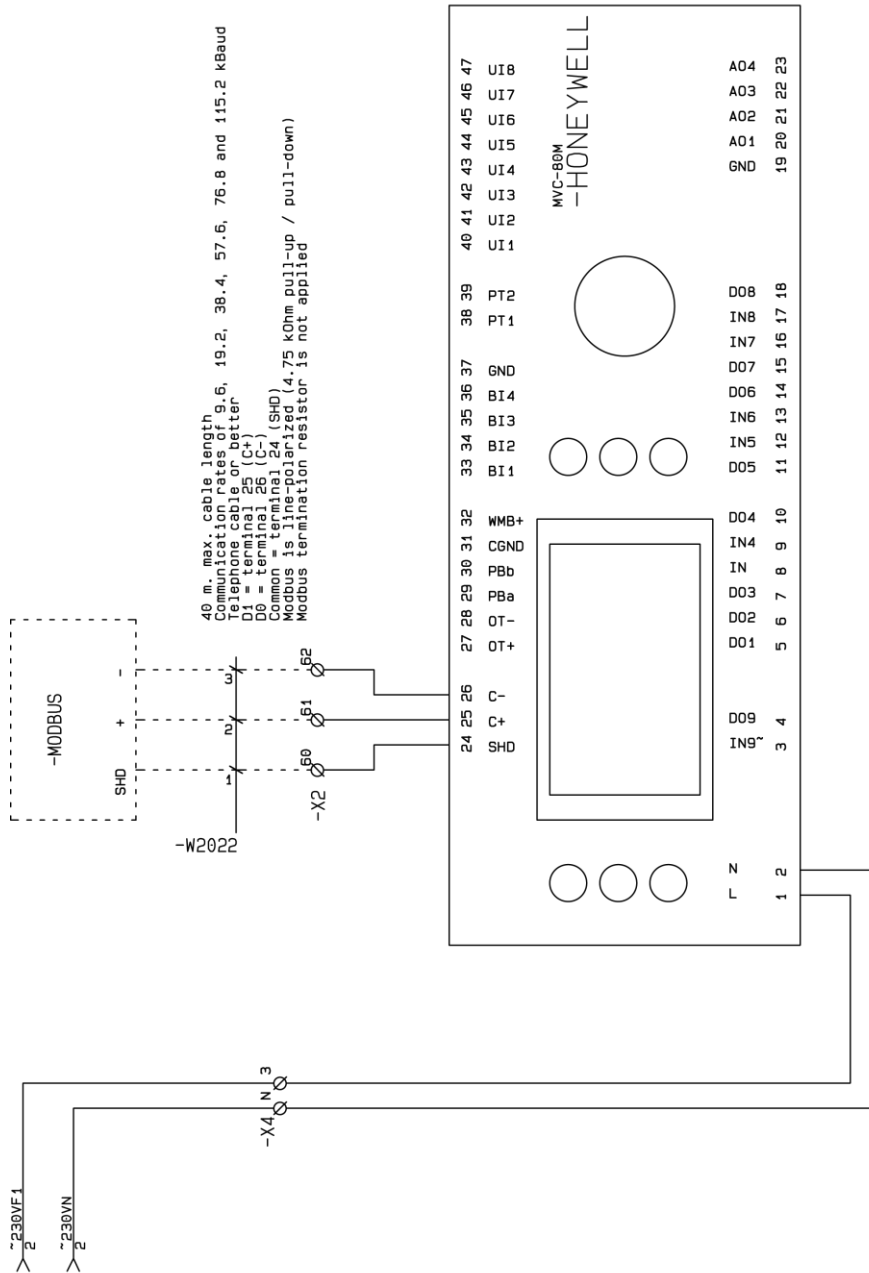
DanX 2/3 HP (2 x 400V)

2 3 4 5 6 7 8 9 10 11 12 13 14 15 16 17 18 19 20 21 22 23 24 25 26 27 28 29 30 31 32 33 34 35 36 37

Overload protection for this control panel must be established before this control panel!

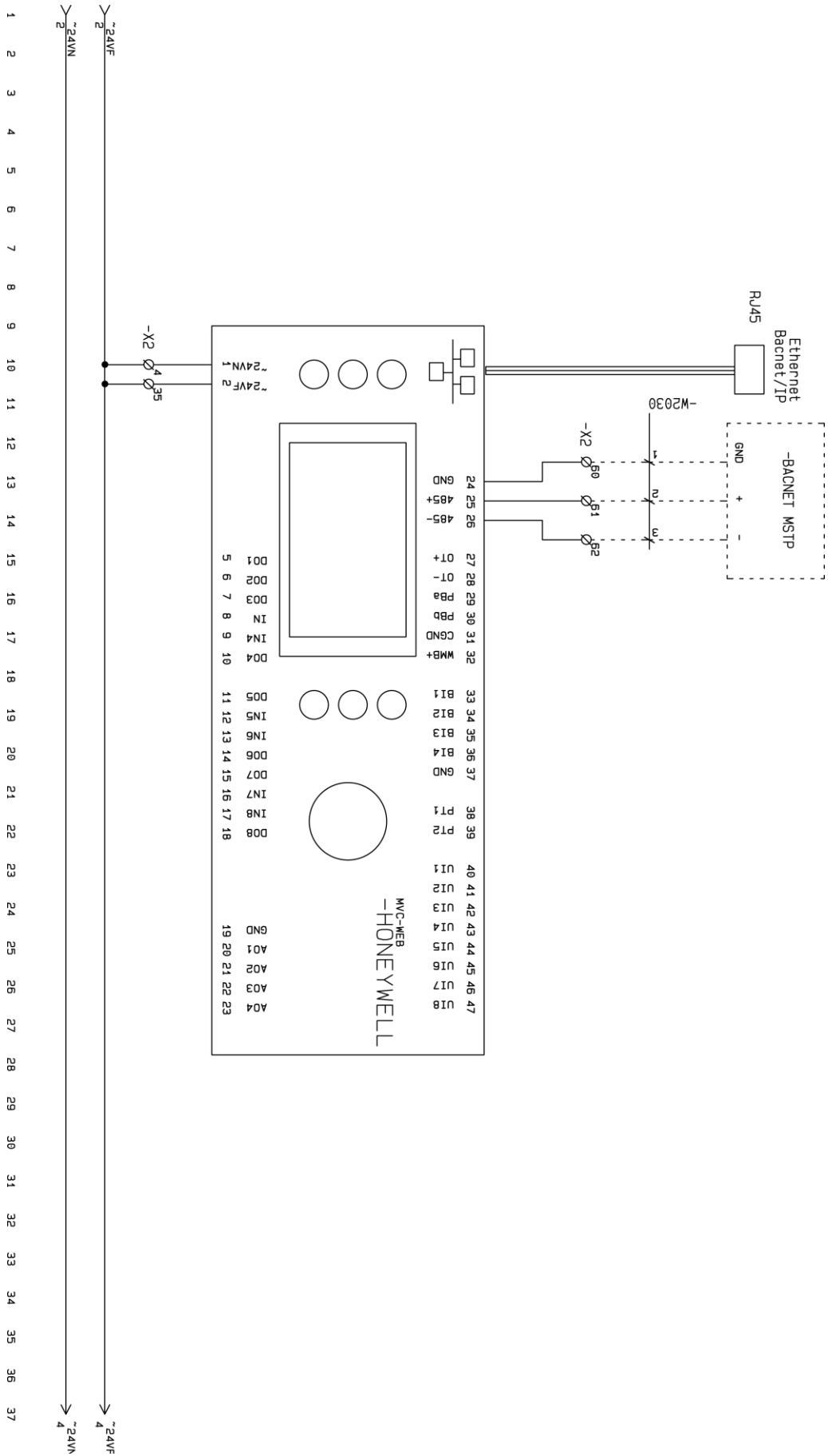
1 2 3 4 5 6 7 8 9 10 11 12 13 14 15 16 17 18 19 20 21 22 23 24 25 26 27 28 29 30 31 32 33 34 35 36 37



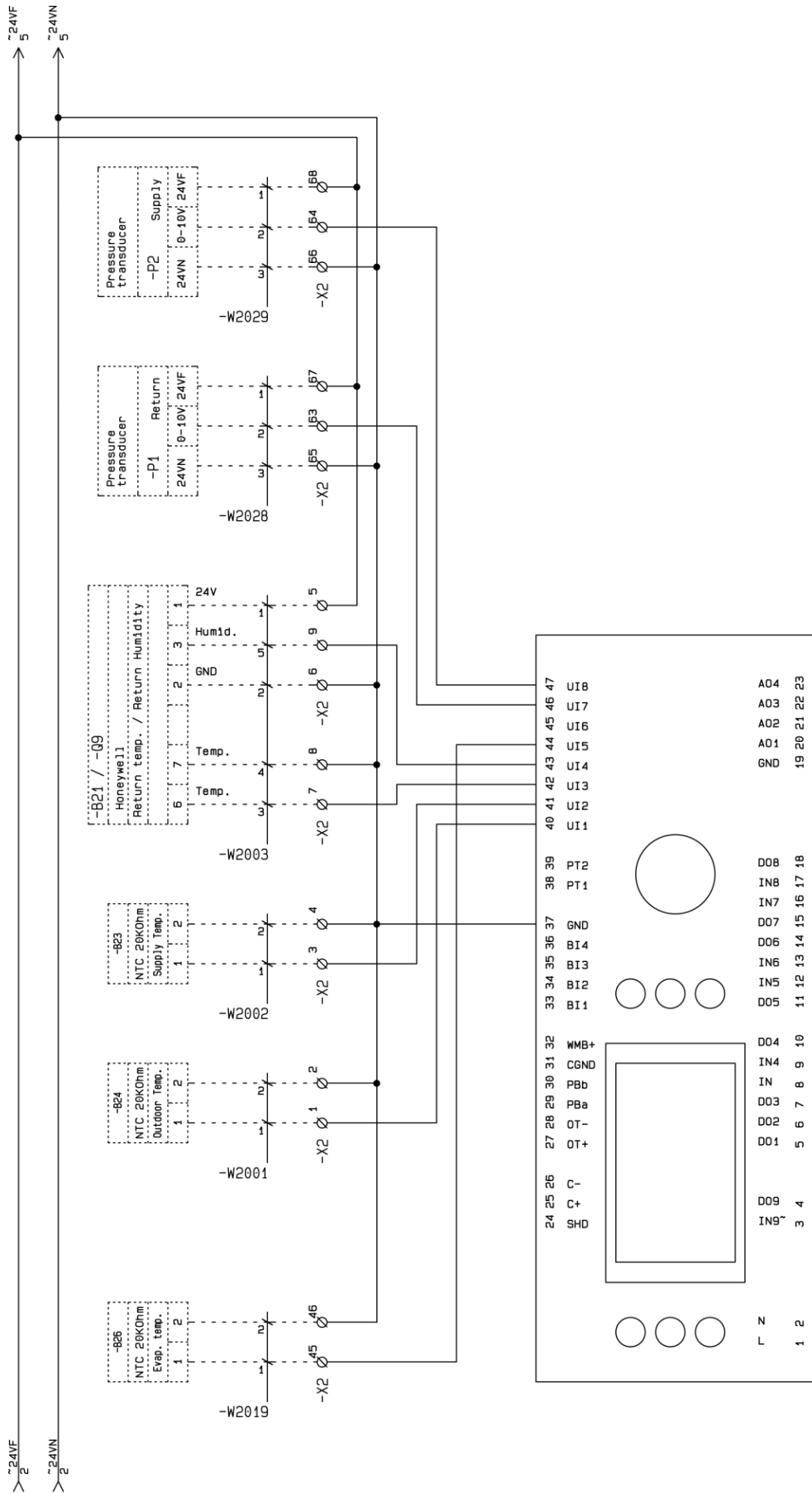


DanX 2/3 HP

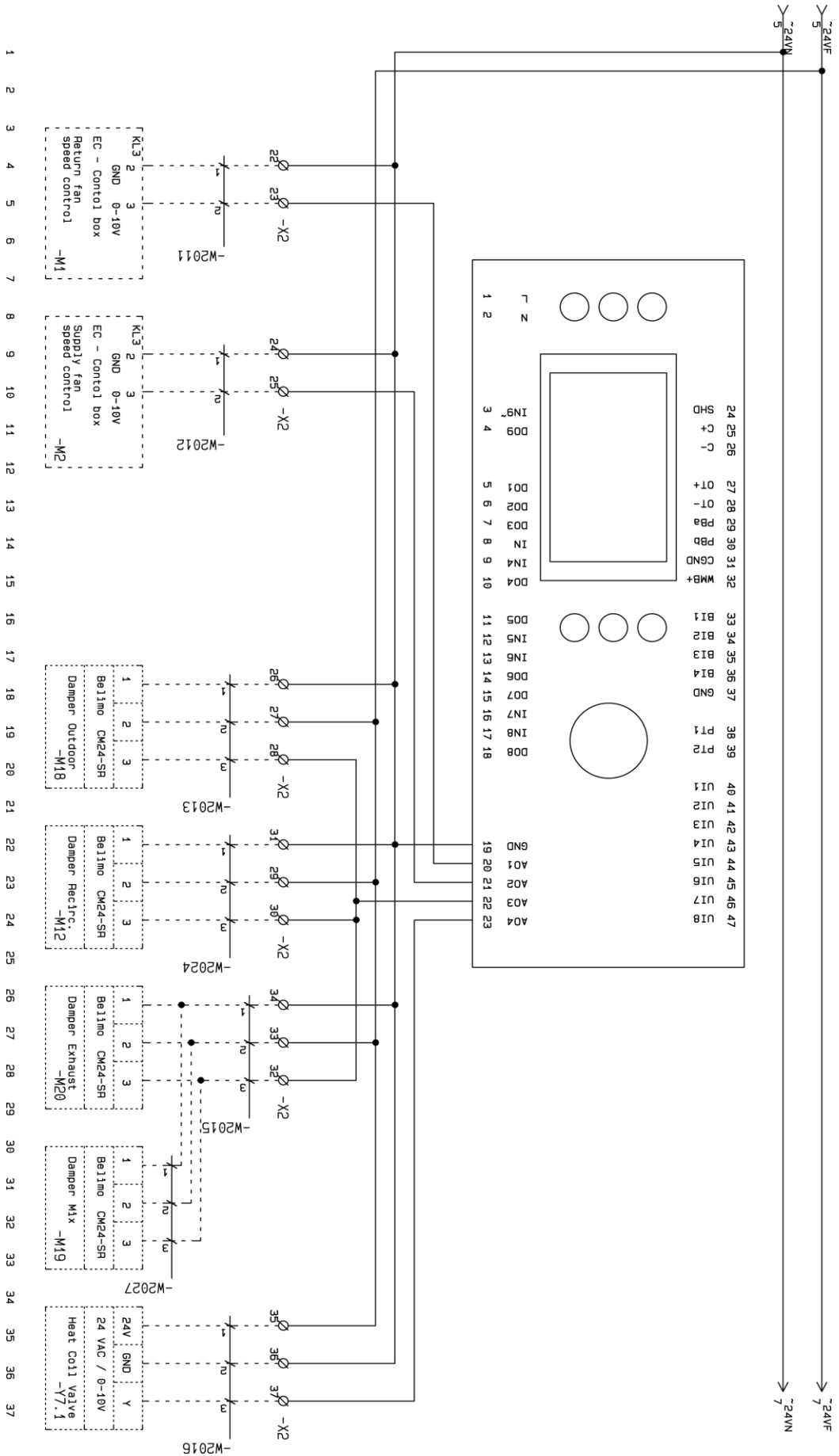
1 2 3 4 5 6 7 8 9 10 11 12 13 14 15 16 17 18 19 20 21 22 23 24 25 26 27 28 29 30 31 32 33 34 35 36 37



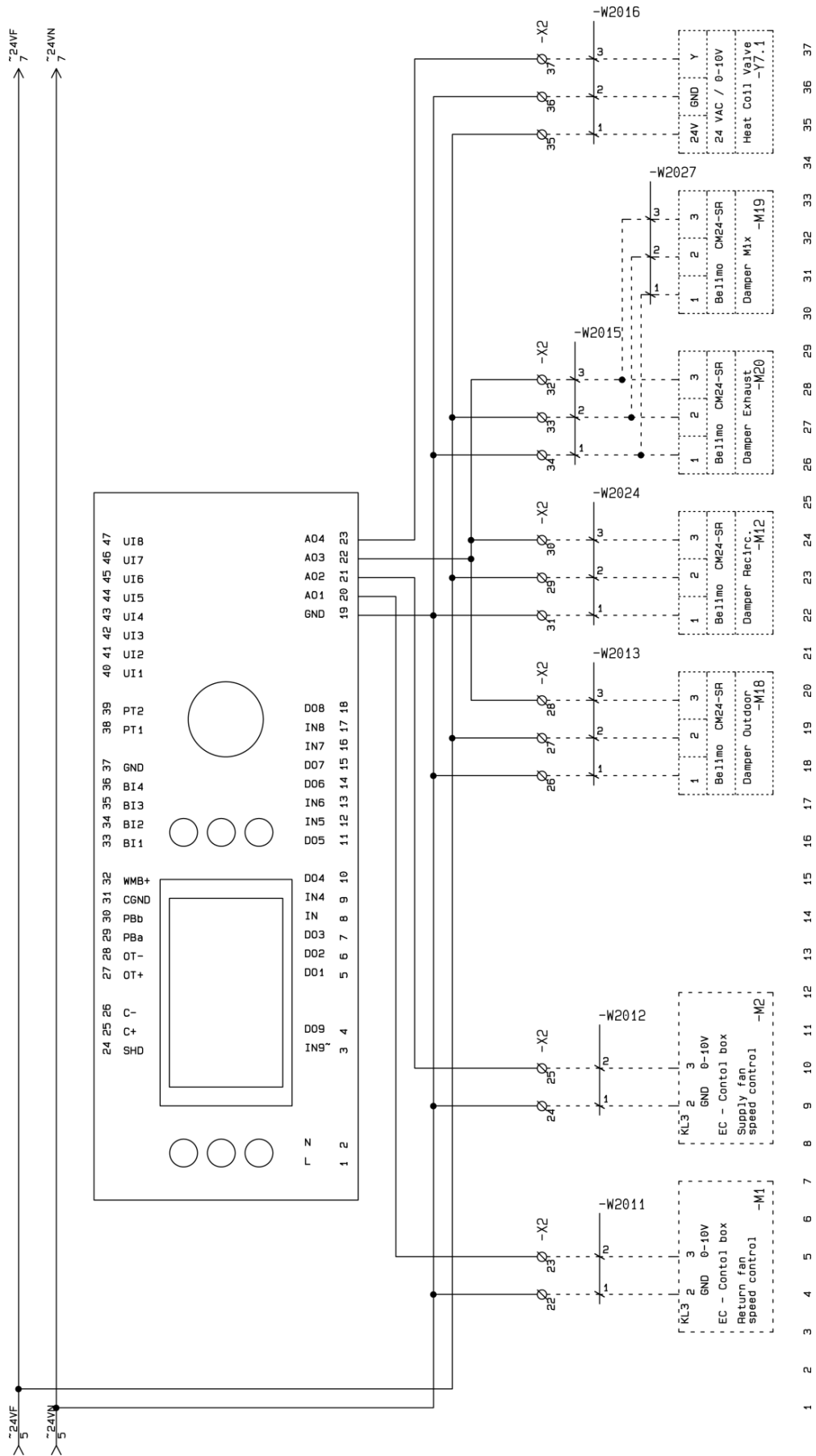
DanX 2/3 HP



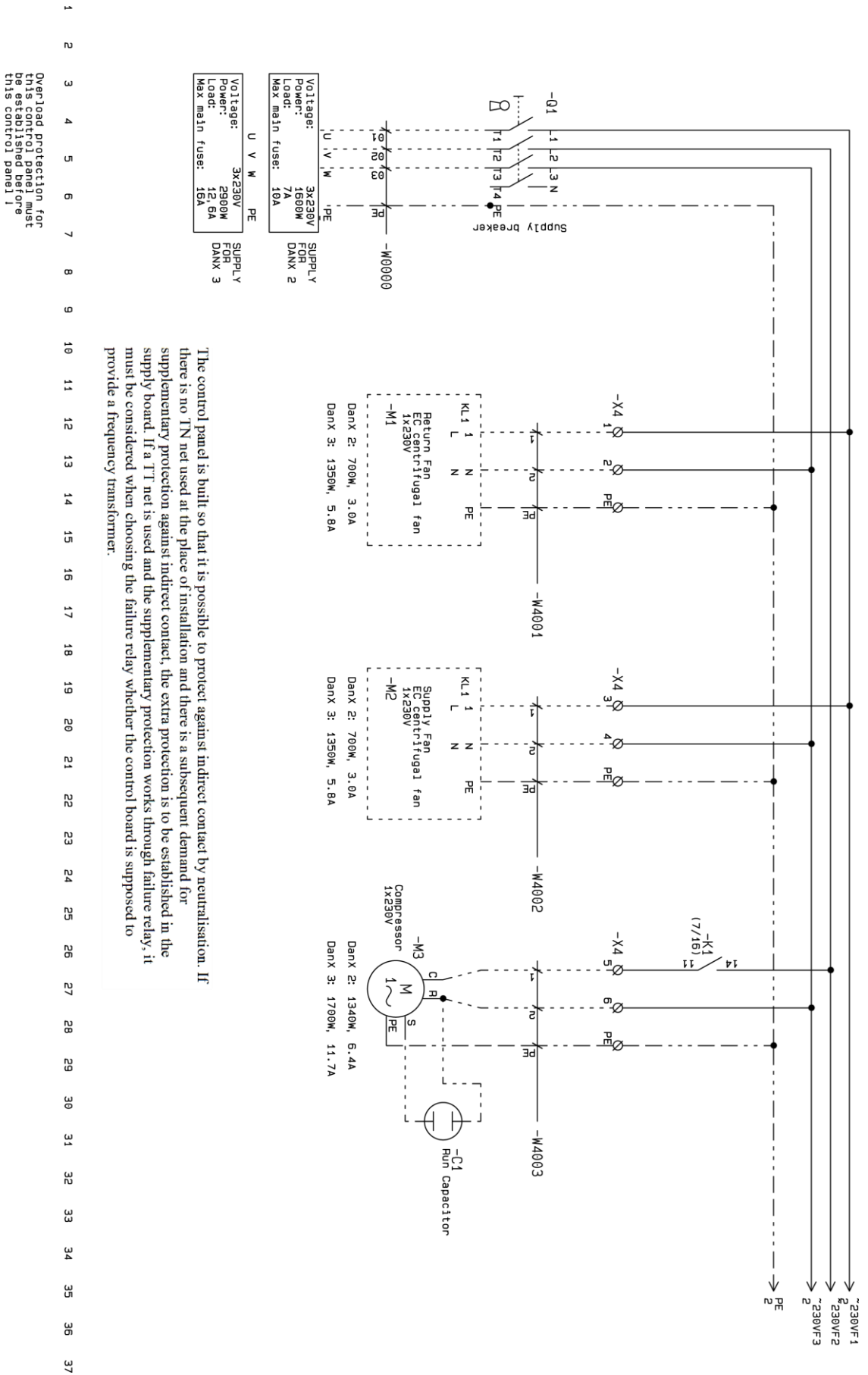
1 2 3 4 5 6 7 8 9 10 11 12 13 14 15 16 17 18 19 20 21 22 23 24 25 26 27 28 29 30 31 32 33 34 35 36 37



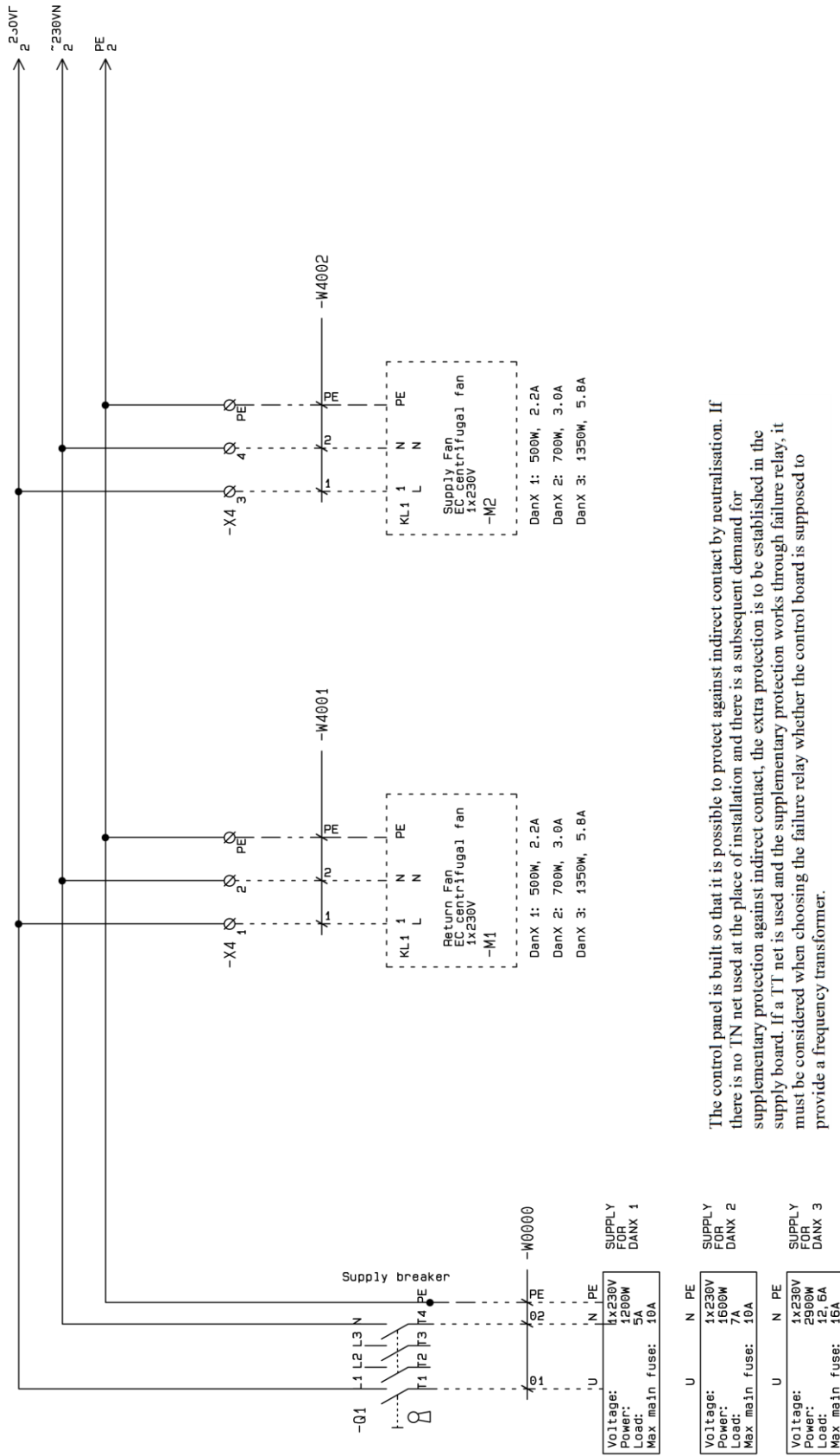
DanX 2/3 HP



DanX 2/3 HP



DanX 2/3 HP (3 x 230V)

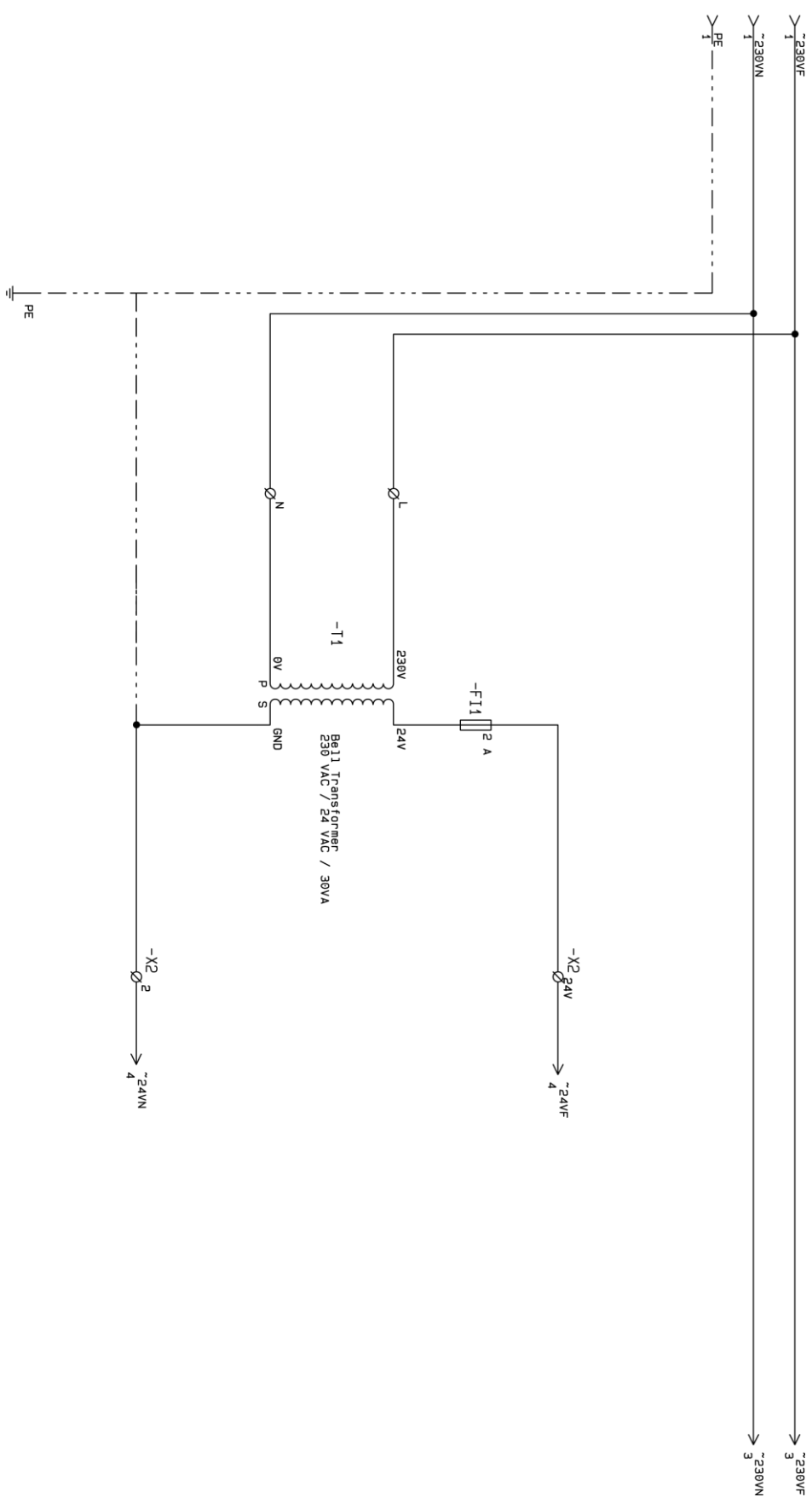


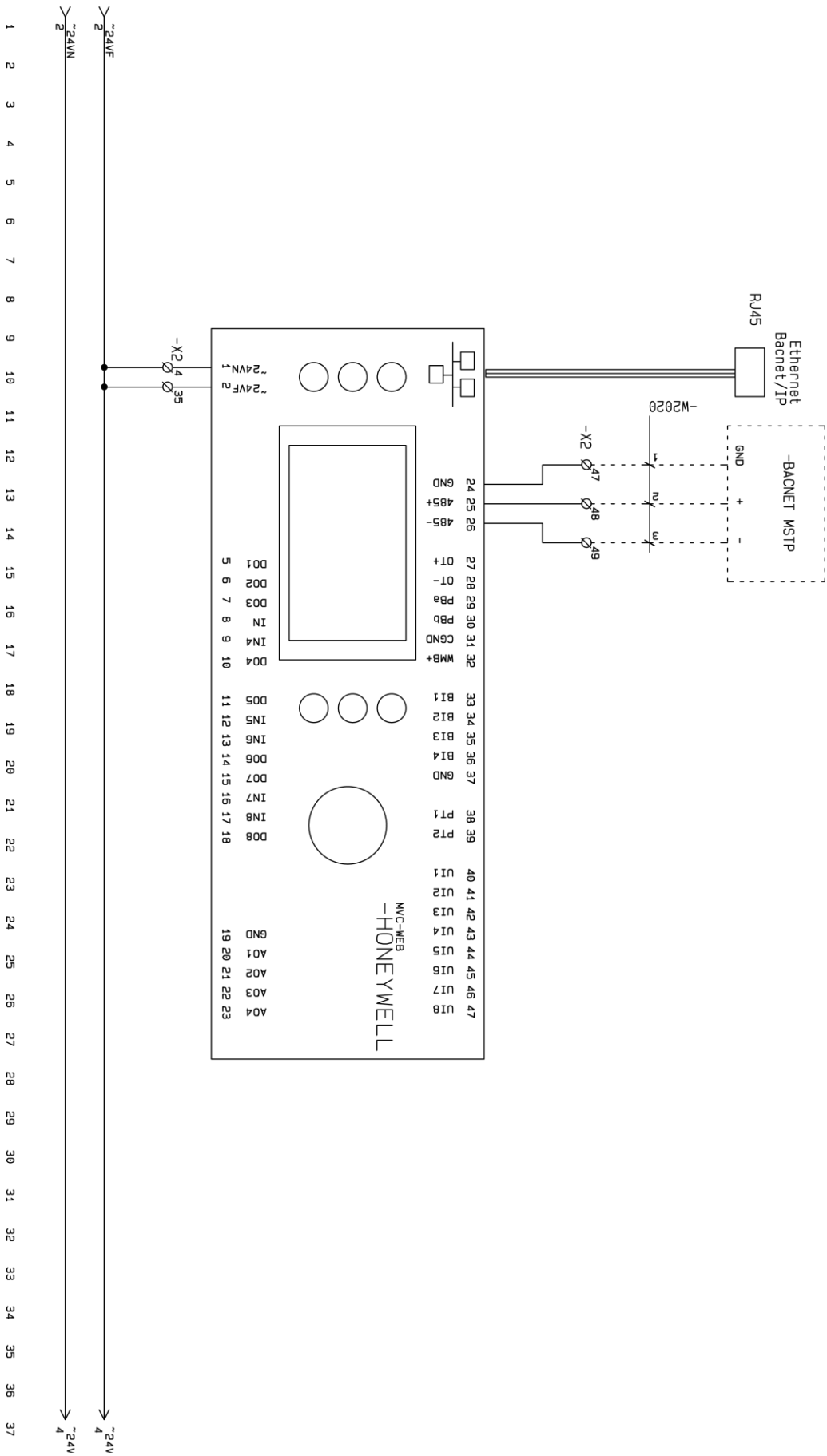
DanX 1/2/3 XD (1 x 230V)

The control panel is built so that it is possible to protect against indirect contact by neutralisation. If there is no TN net used at the place of installation and there is a subsequent demand for supplementary protection against indirect contact, the extra protection is to be established in the supply board. If a TT net is used and the supplementary protection works through failure relay, it must be considered when choosing the failure relay whether the control board is supposed to provide a frequency transformer.

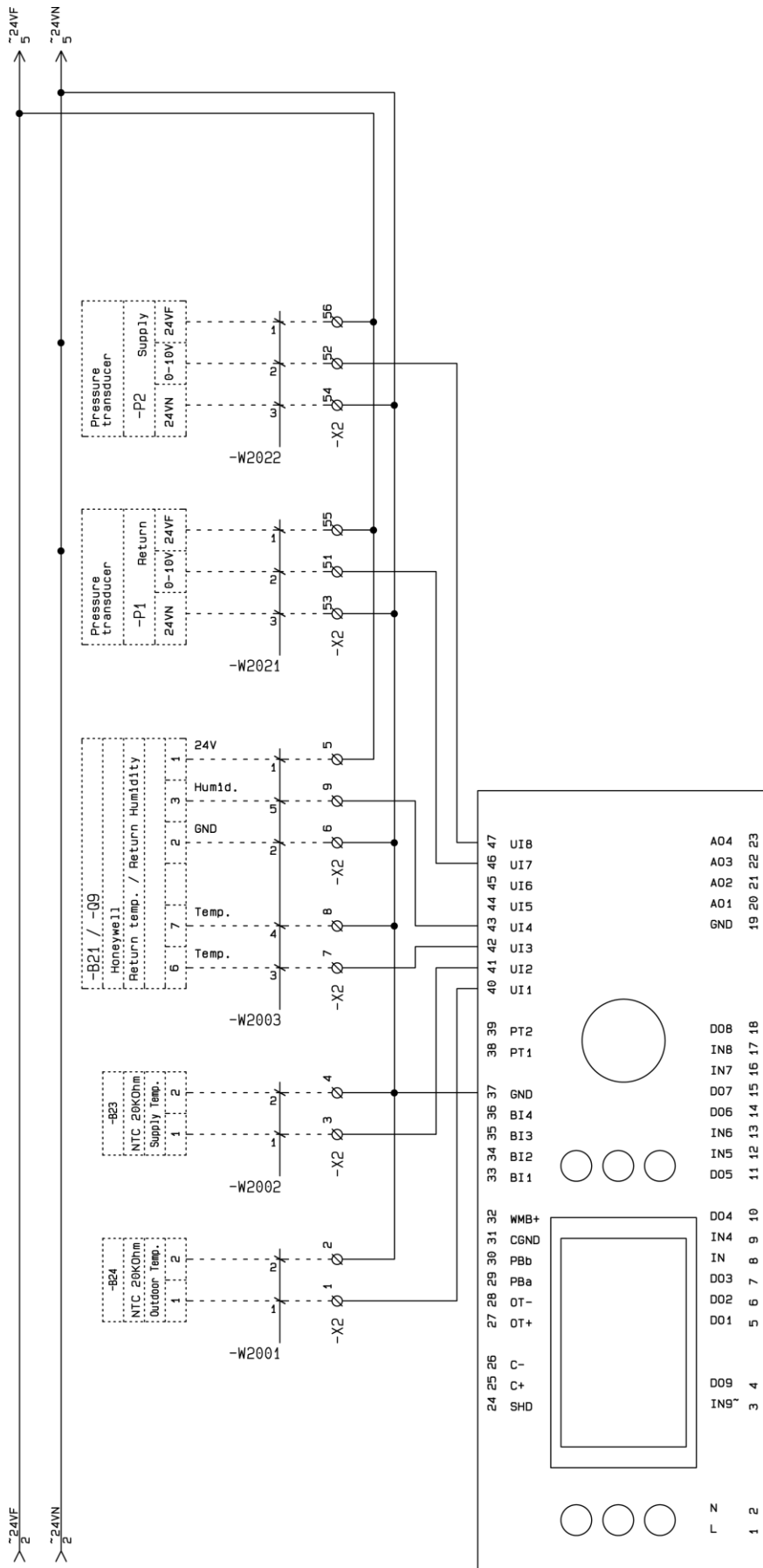
Overload protection for this control panel must be established before this control panel!

1 2 3 4 5 6 7 8 9 10 11 12 13 14 15 16 17 18 19 20 21 22 23 24 25 26 27 28 29 30 31 32 33 34 35 36 37





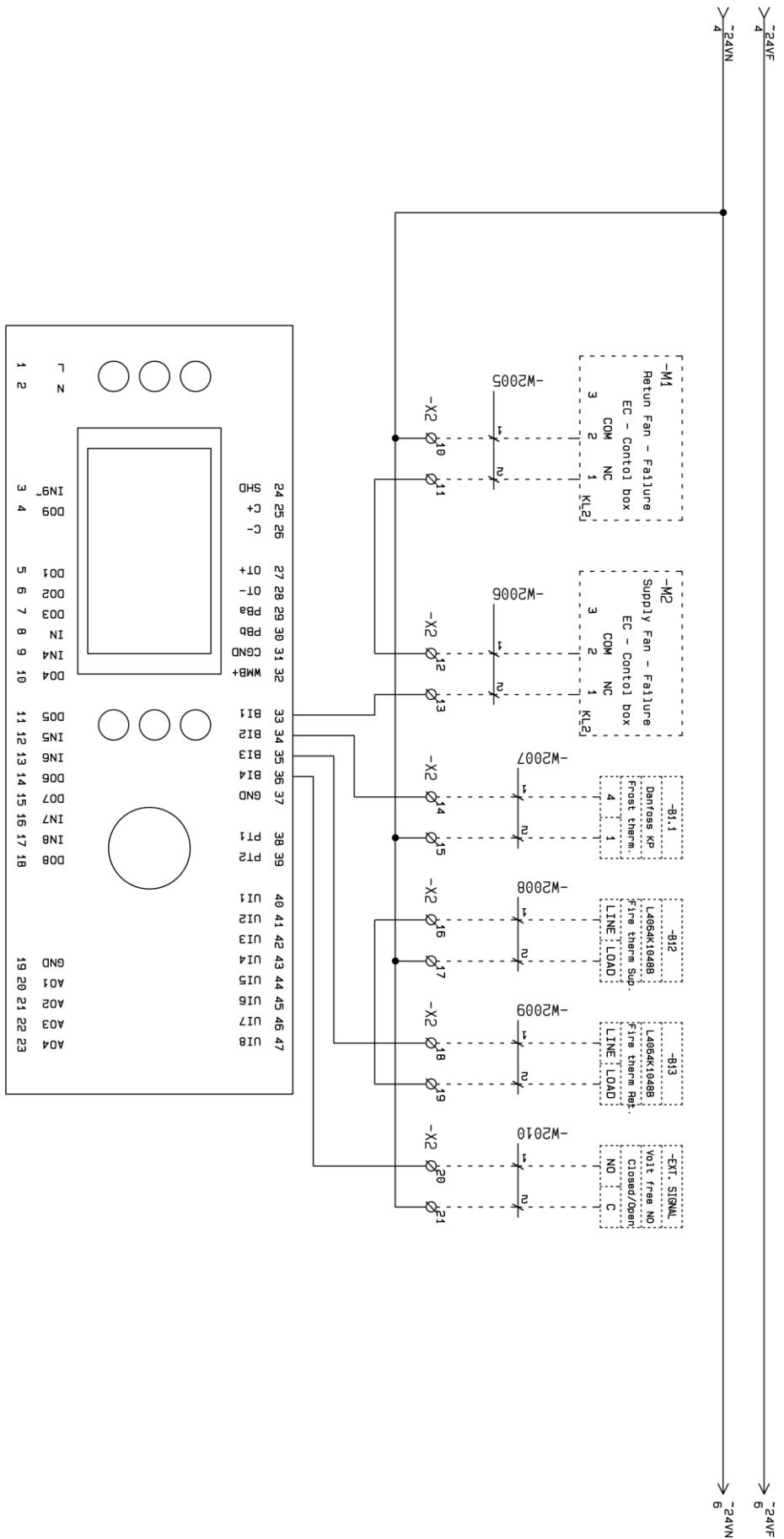
DanX 1/2/3 XD



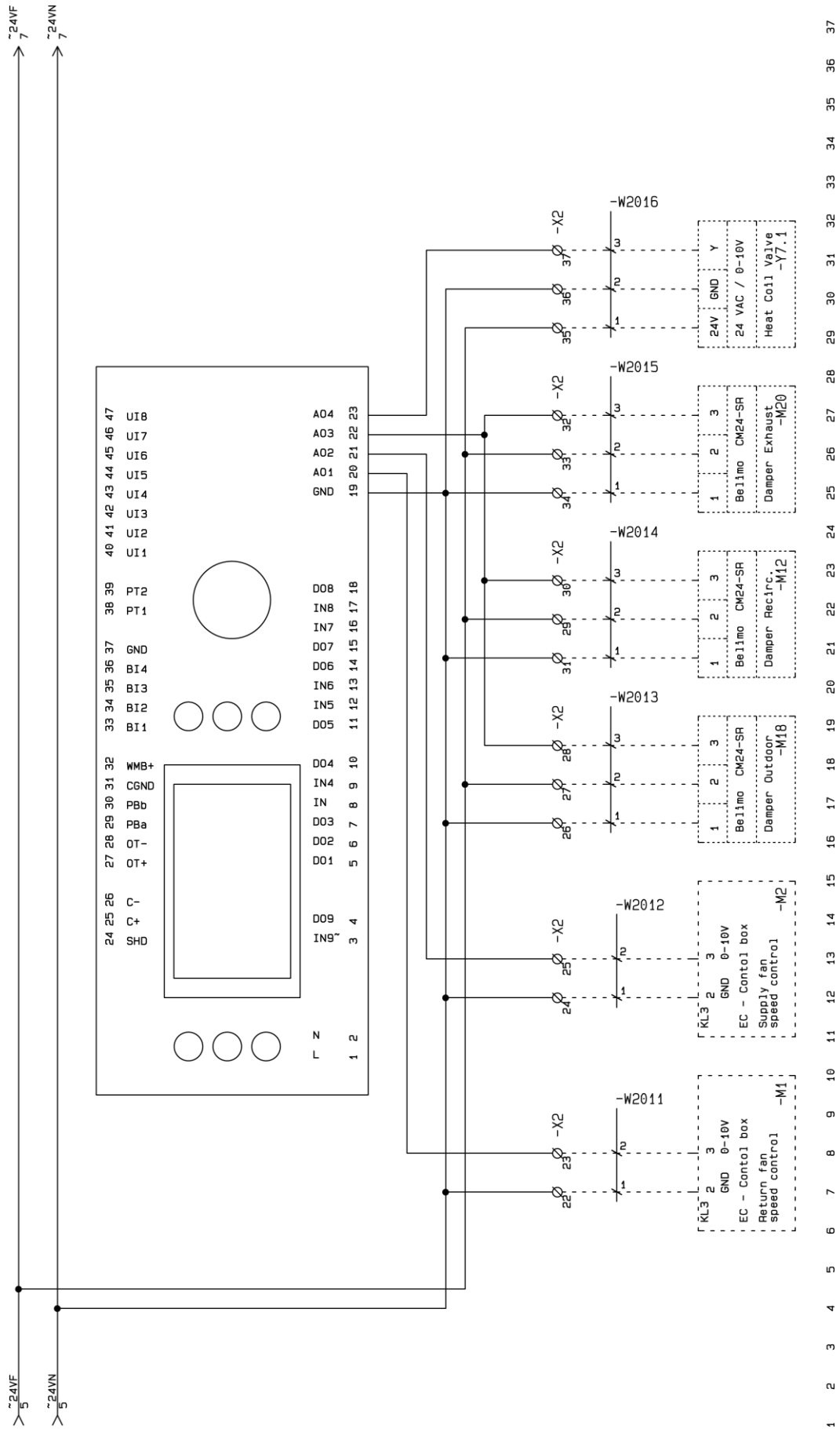
1 2 3 4 5 6 7 8 9 10 11 12 13 14 15 16 17 18 19 20 21 22 23 24 25 26 27 28 29 30 31 32 33 34 35 36 37

DanX 1/2/3 XD

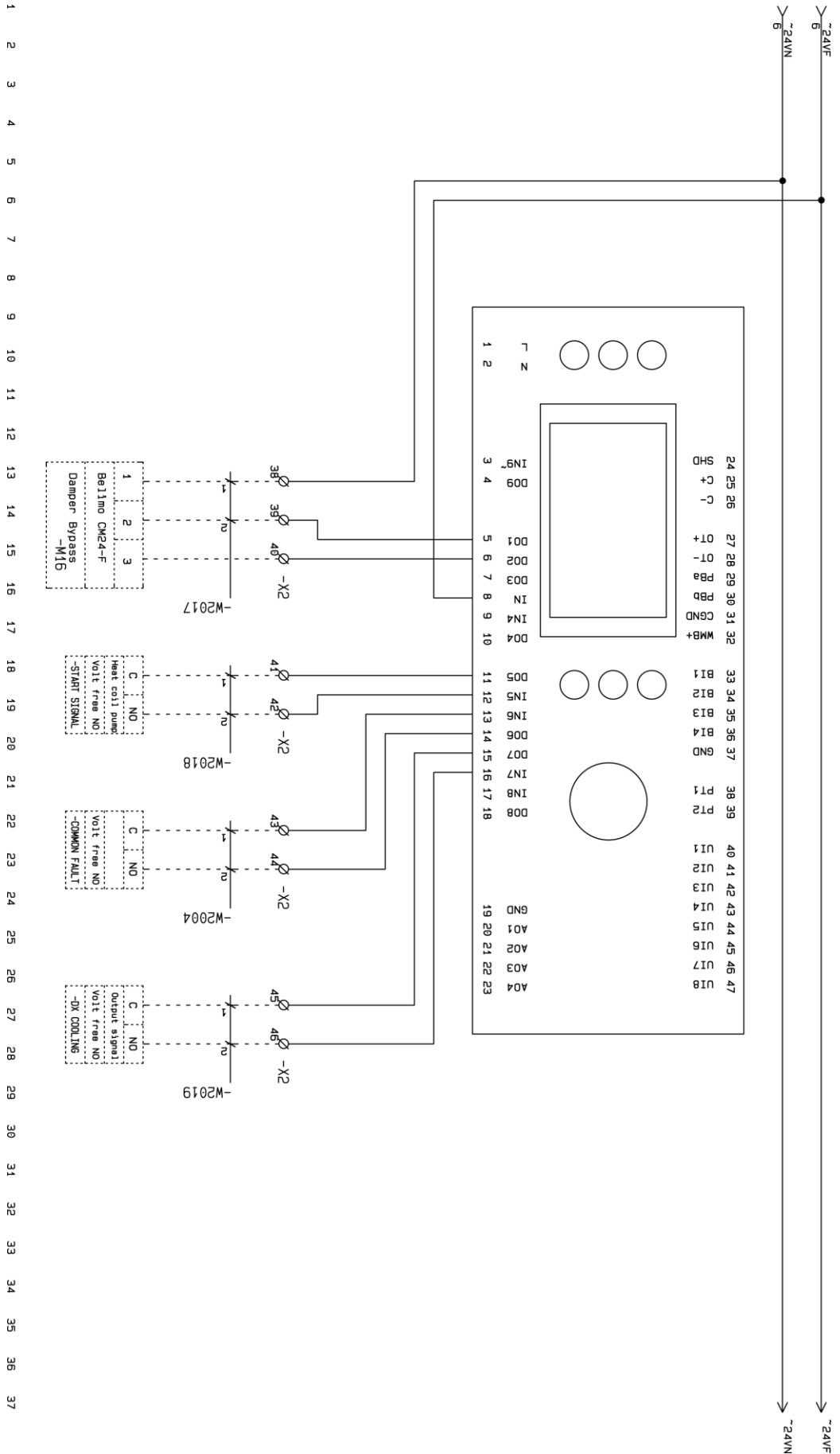
1 2 3 4 5 6 7 8 9 10 11 12 13 14 15 16 17 18 19 20 21 22 23 24 25 26 27 28 29 30 31 32 33 34 35 36 37



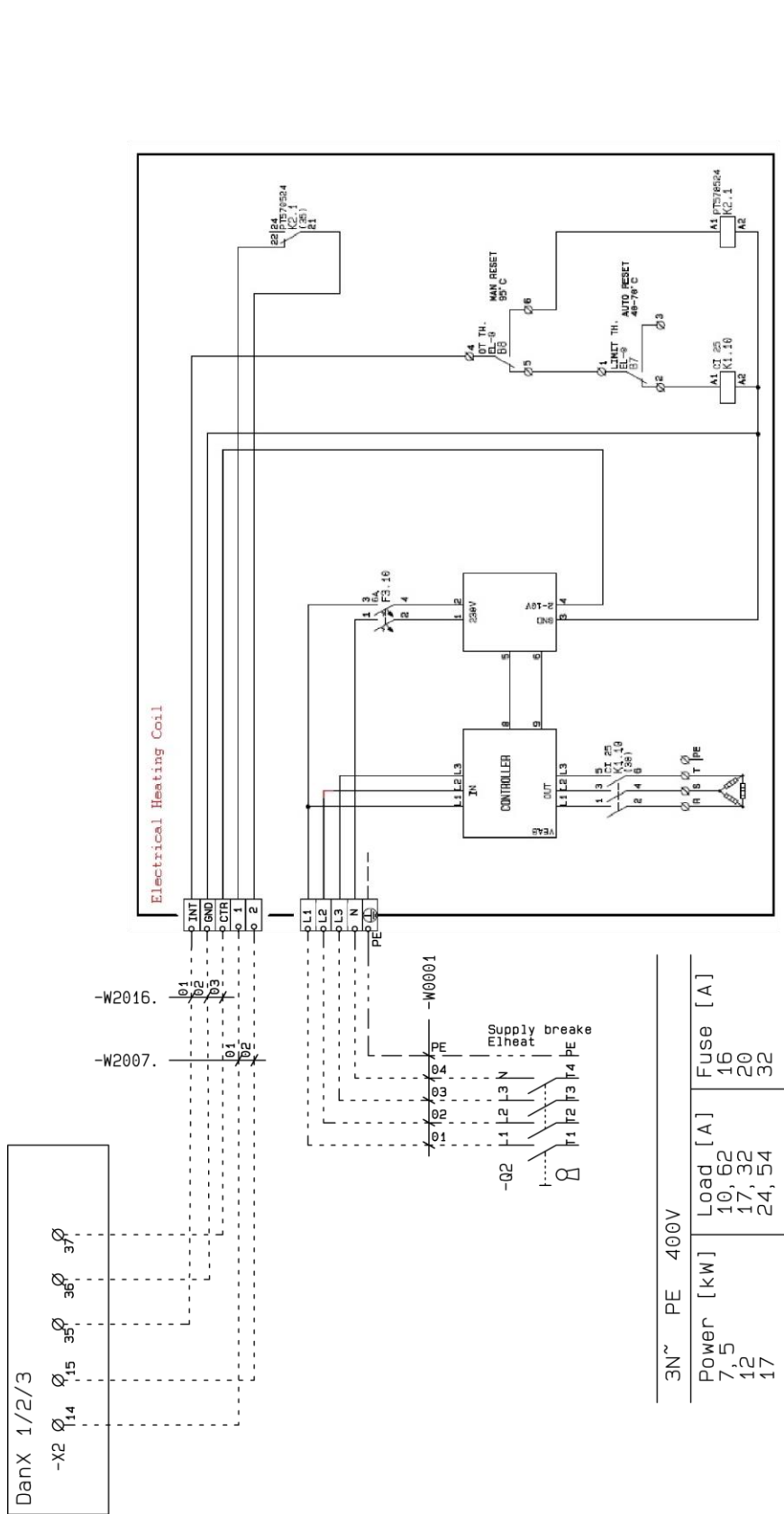
DanX 1/2/3 XD



DanX 1/2/3 XD



DanX 1/2/3 XD



1 2 3 4 5 6 7 8 9 10 11 12 13 14 15 16 17 18 19 20 21 22 23 24 25 26 27 28 29 30 31 32 33 34 35 36 37

Contact Dantherm

Dantherm Air Handling A/S
Marienlystvej 65
7800 Skive
Denmark

Phone +45 96 14 37 00
Fax +45 96 14 38 00

infodk@dantherm.com
www.dantherm.com

Dantherm AS
Postboks 4
3101 Tønsberg
Norway

Phone +47 33 35 16 00
Fax +47 33 38 51 91

dantherm.no@dantherm.com
www.dantherm.no

Dantherm Air Handling AB
Virkesgatan 5
614 31 Söderköping
Sweden

Phone +(0) 121 130 40
Fax +(0) 121 133 70

infose@dantherm.com
www.dantherm.se

Dantherm Air Handling (Suzhou) Ltd.
Bldg#9, No.855 Zhu Jiang Rd.,
Suzhou New District, Jiangsu
215219 Suzhou
China

Phone +86 512 6667 8500
Fax +86 512 6667 8500

dantherm.cn@dantherm.com
www.dantherm-air-handling.com.cn

Dantherm Limited
12 Windmill Business Park
Windmill Road, Clevedon
North Somerset, BS21 6SR
England

Phone +44 (0)1275 87 68 51
Fax +44 (0)1275 34 30 86

infouk@dantherm.com
www.dantherm.co.uk

Dantherm Air Handling Inc.
110 Corporate Drive, Suite K
Spartanburg, SC 29303
USA

Phone +1 (864) 595 9800
Fax +1 (864) 595 9810

infous@dantherm.com
www.dantherm.com



Dantherm Air Handling A/S

Marienlystvej 65

7800 Skive

Denmark

www.dantherm.com

Dantherm®
CONTROL YOUR CLIMATE